

WIRELESS KEYPAD 050551

Compatible with all USAutomatic receivers
Part # 030200, 030205 and 030207



TABLE OF CONTENTS

INTRODUCTION	2	PROGRAMMING	5
Main Features	2	Master Password	5
Packaging inventory	2	Create Access code	5
Technical specifications	3	Create Communication with Receiver	5
MOUNTING DIAGRAM	3	Changing the security code	6
POWER SUPPLY	4	Deleting a single access code	7
BATTERY		Erasing all access codes	7
Battery low	4	Changing Master password	7
Accessing the battery	4	Set Master password back to factory defaults	7
Extra battery	4	Temporary access codes	8
		Night Light ON/OFF programming	8
		WARRANTY	8



1 Introduction

The Wireless Keypad 050551 is a radio keypad operating at 433.92 MHz. The radio transmission is enabled only after entering a valid access code. The internal memory can store up to 256 different access codes, 256 temporary codes and 1 Master code. This keypad has 4 unique transmitting channels controlling up to 4 different receiver channels. This feature makes it easy to use 1 keypad to control multiple gate systems individually or simply have 2 unique access codes controlling the two channel (P1, P2) receiver on a single gate system. Changes or modifications not expressly approved by the party responsible for compliance could void the user's authority to operate the equipment. In cases where the manual is provided only in a form other than paper, such as on a computer disk or over the internet.

FCC ID: PWJRKPU

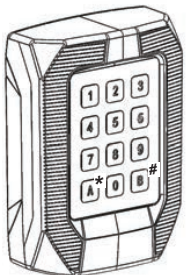
The product fully complies with the European directive 2014/53/EU "RED" and Part. 15 of FCC Rules. Operation is subject to the following two conditions:

1. This device may not cause harmful interferences;
2. This device must accept interference that may cause undesired operation.

Main features

- Die-casted aluminum cover
- Quarter-turn Keyed lock protection
- Goose Neck compatible mounting plate
- Stainless keypad with blue backlight
- Night light controlled by a twilight sensor
- Night light ON/OFF programable
- Battery supply or 12/24 Vac/dc external supply selectable
- Radio transmission
- 256 permanent or temporary 5-digit access codes
- 1 Master code
- Code PUK (password unblocking key)
- Internal buzzer
- Hold Open code via programming to the P2 channel in receiver / Latch Mode
- Vemporary disabling for multiple wrong codes

Packaging inventory



1 keypad



1/4 - 20 x 1/2 in Bolts



1/4 - 20 nut
External Tooth
Lockwasher type



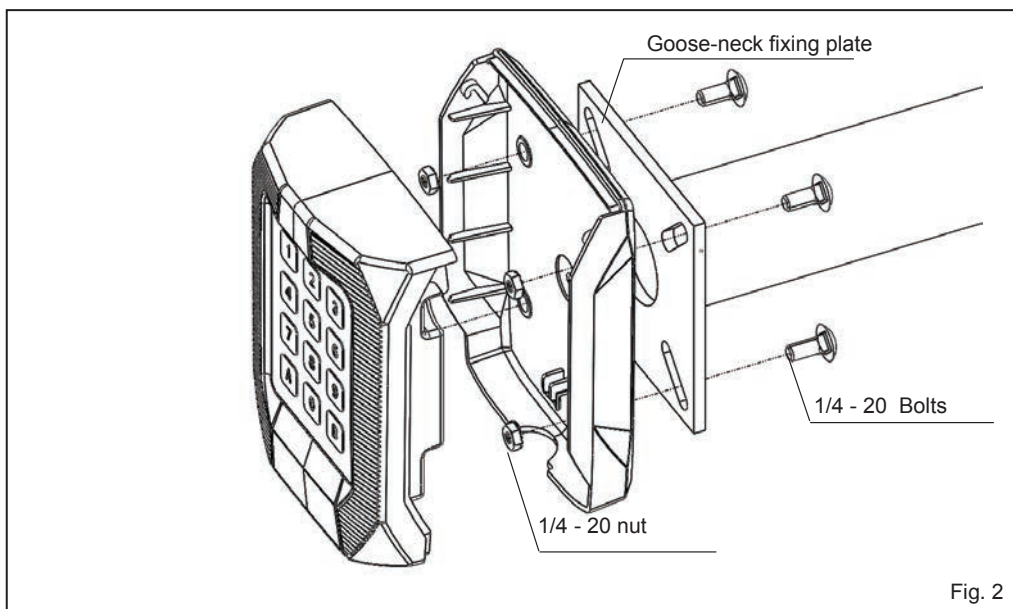
2 x keys for
Key Number
622

Fig. 1

Technical specifications

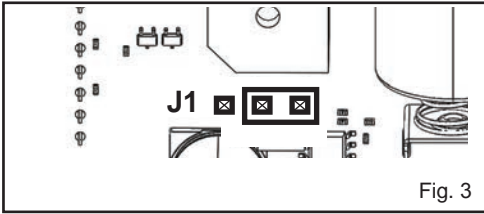
Number of keys.....	12
Number of channels.	4
Supply.....	Battery 3 Vdc or Wired 12/24 AC/DC
Battery duration.	about 24 months - using one battery
Battery type.....	Lithium CR123A
Current consumption battery.....	Less than 200 μ A with night light ON
Current consumption wired.....	Less than 3 mA with night light ON
Operating frequency.	433.92 MHz
Modulation.....	AM/ASK
E.r.p.:	150 μ W
Security Code combinations number....	19683
Access codes.....	256
Temporary access codes.....	256
Transmission duration.....	until press / 1 sec.
Range in open space.....	typically 229 to 492 ft / 70 to 150 m
Operating temperature.....	from 14 °F to 131 °F
Dimensions.....	6.1" x 4.52" x 1.96"
Weight.....	10.5 oz / 300 gr
IP Protection Grade.....	IP55

2 Mounting diagram

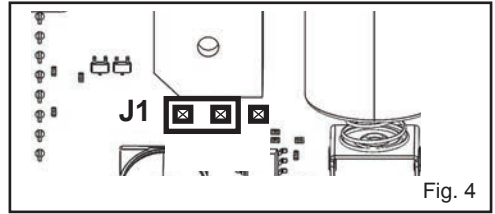


3 Power supply

The keypad can be powered externally with 12/24 Vac/dc, selecting the power mode with the jumper J1.



J1 = ON : Battery CR123A



J1 = OFF: 12/24 Vac/dc

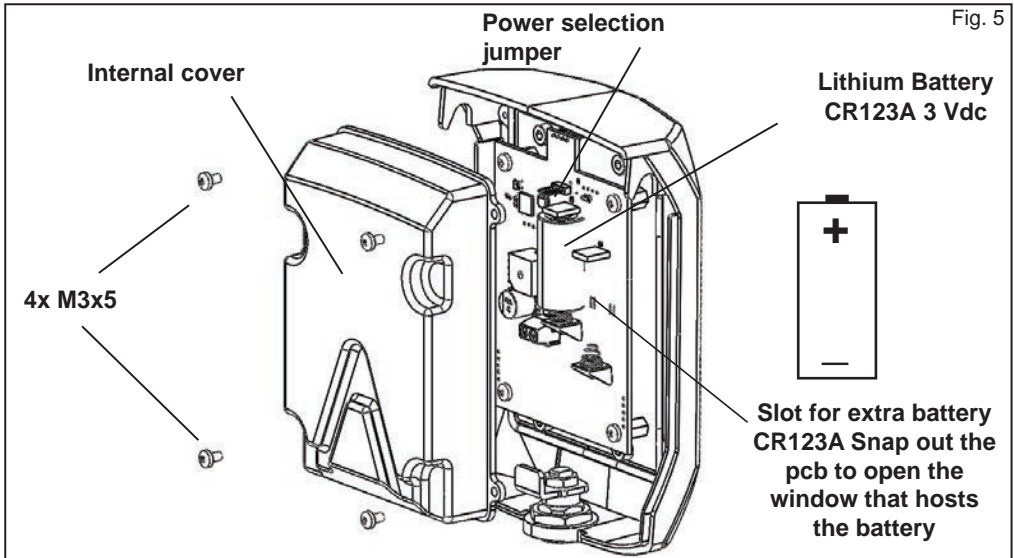
4 Battery

Battery Low

The limit is about 2.7V. Battery-low status is indicated by the backlit keys blinking.

Accessing the battery

To access the battery, remove keypad from back plate, then remove the 4xM3 screws that hold the internal cover to the front panel.



Extra battery

Expected single battery life is 2 years, if desired a second battery can be installed CR123A (not provided). For its installation, snap out the pcb under the second battery holder and Insert the battery with the positive pole upwards.

5 Programming

Terms to Understand

Access Code – Is the 5 digit code entered on the keypad to operate the gate.

Option available is to create a code containing less than 5 numbers and use the # sign as the last key in the code. Example code "5#" or "1234#" the # is part of the access code.

ACCESS CODE CAN NOT BE THE SAME AS THE MASTER PASSWORD.

Master Password – The 5-digit code used to access programming features. Factory default is "11111". This should be changed for security reasons.

NOT USED TO OPEN GATE- CANNOT BE THE SAME AS THE PUK or ACCESS CODE.

Channel 1 – P1 (relay 1) is pre-wired to the Push Button input.

Channel 2 – P2 (relay 2) is pre-wired to the "Open/Free Exit" input.

Keypad Security Code (Dip Switch Code) – This code makes your keypad unique to your installation. Keypad does not have dip switches like the transmitter; instead it has virtual dip switches which may be programmed.

PUK Code – "Password Unblocking Key." The PUK code is located inside the keypad and is needed when the master password has been lost. Record PUK code: _____

Quick beeps – the keypad is sending a signal to the receiver. Valid access code was entered.

NOTE: Do not install keypad until

"Create Communication with Receiver" has been completed.

Create Access Code: code you use to operate the gate

- **Enter the current Master Password**
- Enter "9". If correct, 2 short beeps (if 1 long beep is heard, start over with first step)
- Enter the new Access Code (up to 5 digits), if less than 5 digits, "#" is required.
- Enter "9".
- Enter the new Access Code again to verify.
- Enter "1", "2", "3", "4" identifying which keypad channel the Access Code is learned to. If correct, 2 short beeps (If 1 long beep, start over with first step).

Enter # to exit (long Beep) or wait for time-out (long Beep) or start again from step 2 to add more access codes.

Example:

Access code created using a 1 in the last step could be programmed to P1 channel. Access code created with a 2 in the last step could be programmed to P2 channel. If this was done then both access codes would have to create communication with receiver in the steps below.

Create Communication with Receiver

- Enter the Access Code created above
- Holding the last key of the code - keypad beeps while last key is depressed.
- Press the P1 button on the receiver and hold until LD light comes ON.
- Programming is complete

*For Open Only or Hold Open function program to P2 channel.

*For Hold Open function receiver P2 channel must be set to Latch Mode.

Latch mode - press the P2 button on receiver and hold once the LD light comes ON immediately release and press the P1 button one time.

Keypad Dipswitches -This keypad has virtual dipswitches

The virtual dipswitch contains nine 3-position switches. The default Security Code has all nine switches in the center position. To ensure neighboring keypads do not interfere with each other, the virtual switches should be positioned in a random pattern, using the following procedure.

Example of random positioning of the virtual dip-switches to create a Security Code

To enter the Security Code, enter the dip-switch number, followed by the dip-switch position character. The Security Code would be entered as:

1# 20 3* 4* 5# 6* 7# 80 9*

Switch number

Dip pos.	1	2	3	4	5	6	7	8	9
#	X				X		X		
0		X						X	
*			X	X		X			X

Use table below to create a random pattern and enter the resulting Security Code in the following procedure.

Dip pos.	1	2	3	4	5	6	7	8	9
#									
0									
*									

- **Enter the Master Password.**
- Enter "6". *If correct, 2 short beeps (if 1 long beep is heard, start over with first step);*
- Enter the Security Code created in the table in the previous column. *If correct, 2 short beeps after each switch number and switch position combination is entered.*
- Enter "#".
- Enter "6". *If correct, 2 short beeps (if 1 long beep is heard, start over with first step).*

Deleting a single access code

- **Enter the Master Password.**
- **Enter “7”.** *If correct, 2 short beeps (if 1 long beep is heard, start over with first step)*
- **Enter the Access Code to be deleted.**
- **Enter “7”.**
- **Reenter the Access Code to be deleted.**
- **Enter “7”.** *If correct, 2 short beeps (if 1 long beep is heard, start over with first step)*

Erasing all access codes

- **Enter the Master Password.**
- **Enter “7”.** *If correct, 2 short beeps (if 1 long beep is heard, start over with first step)*
- **Reenter the Master Password.**
- **Enter “7”.**
- **Reenter the Master Password.**
- **Enter “7”.** *If correct, 2 short beeps (if 1 long beep is heard, start over with first step)*

Changing the Master Password

- **Enter the current Master Password**
- **Enter “8”.** *If correct, 2 short beeps (if 1 long beep is heard, start over with first step)*
- **Enter the Master Password** (up to 5 digits), if less than 5 digits, “#” is required.
- **Enter “8”.**
- **Enter the Master Password again to verify.**
- **Enter “8”.** *If correct, 2 short beeps (if 1 long beep is heard, start over with first step).*

Record Master Password here for future reference: _____

Setting the Master Password back to Factory Default: (11111)

- **Enter “11111.”**
- **Enter “8”** (long beep).
- **Enter PUK code.** (*)
- **Enter “8”.**
- **Enter PUK code to confirm.**
- **Enter “8”** (2 beeps).

Master password reset complete.

(*) : The 5 digit PUK code is located on a label in the battery compartment and must be kept in a safe place by the end user.

Record PUK code here for future reference: _____

Temporary Access Code

Temporary access code may be set for a 1 time activation or up to 9 activations.

The procedure to insert it is:

- **Enter the current Master Password**
- **Enter '9' 2 short beeps**
- **Enter the temporary code**
- **Enter '9'**
- **Re enter the temporary code**
- **Enter '#'**
- **Enter number of possible activations ('1' .. '9')**
- **Enter the channel to be activated ('1' .. '4')**

Night Light

The keypad night light provides a low level of lighting to assist in locating the keypad in the dark. This option can be programmed to an ON or OFF setting. The default setting is 'ON'. If 'ON' is selected light sensor will turn on night light once it is dark. Light level sampling is taken every 60 seconds.

Night light 'OFF'

- **Enter master password**
- **Enter '5' 2 short beeps**
- **Enter '1'**

Night light 'ON'

- **Enter master password**
- **Enter '5' 2 short beeps**
- **Enter '2'**

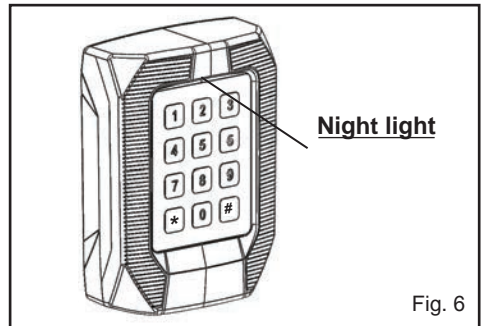


Fig. 6

8 Warranty

USAAutomatic, LLC warrants this product to be free of defects in materials and workmanship for 1 YEAR. For a period of 1 YEAR following purchase USAAutomatic, LLC. will repair or replace the product free of charge, including parts, shop labor and return shipping and handling.

This warranty does not cover the plastic case from normal wear, the battery or damage due to misuse of the keypad.

To have the product sent for warranty consideration, it must be returned with the proof of purchase and a return authorization number. To obtain a return authorization number please call 1-972-221-7000 or 888-204-0174 for assistance.

The return authorization number must be clearly marked on the outside of the return package or it may not be accepted.



USAAutomatic, LLC

170 Valley Ridge Blvd.

Lewisville, TX 75057

1-972-221-7000 or 888-204-0174

www.usautomatic.com

Rev C